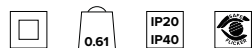
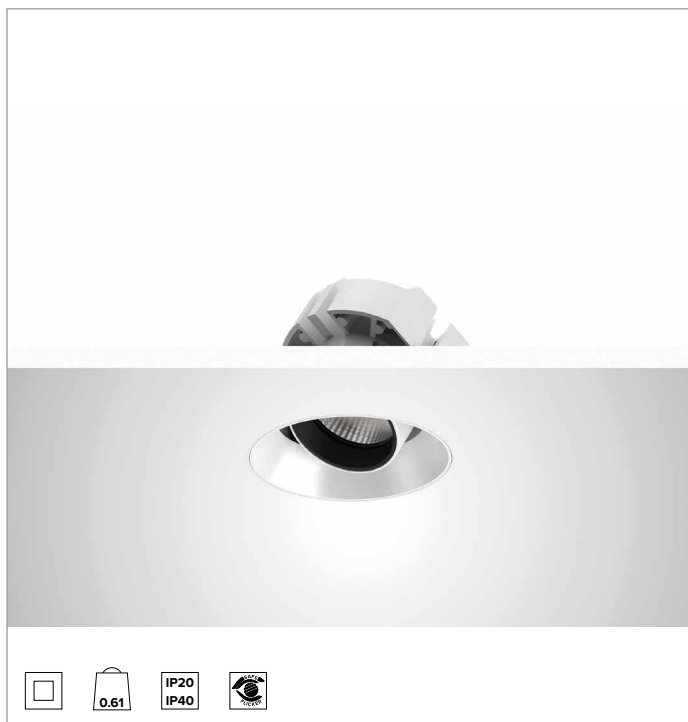
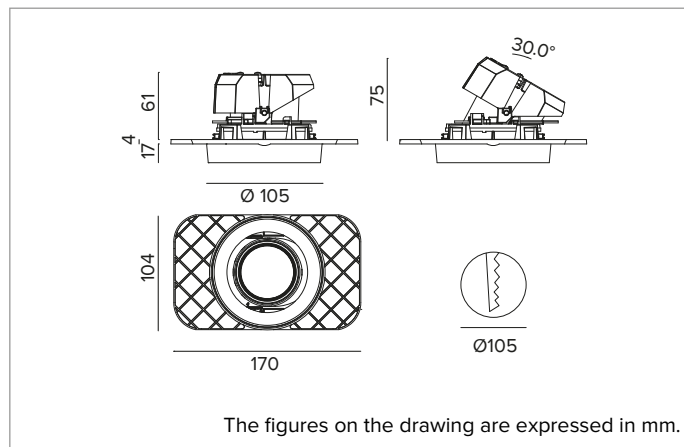


## 1T8727ELTR | CTEVO ARCHITECTURAL 105

### Adjustable recessed LED projector in a trimless version



		2700K	H(m)	D(m)	Emax(lx)
		Ra90		48°	
		Fixture Power	20W	1	0.88 2917
		Source Flux	2128lm	2	1.77 729
		Fixture Flux	1630lm	3	2.65 324
		Efficacy	81lm/W	4	3.53 182
TS1308	I <sub>max</sub> =1378cd/klm	I <sub>max</sub>	2933cd	5	4.41 117



#### SOURCE

High efficiency Chip on Board LED Ra90. Ra80 on request.

**Energy efficiency class:** E

**Nominal power:** 18W

**Nominal flux:** 2128lm

**Colour rendering index:** 90

**Rf:** 92

**Rg:** 99

**CCT nominal:** 2700K

**Lifetime (L80/B10):** >50000h tq +25°C

#### ILLUMINOTECHNICAL CHARACTERISTICS

MWFL - precision optics with a black silicone cut off ring. Version with a convex faceted highly reflective anodised aluminium reflector and a holographic diffusion filter. UGR<19 (EN 12464-1).

**Optic:** REFLECTOR

**Beam angles:** MWFL

**Optical efficiency:** 77%

**Fixture flux:** 1630lm

**Luminous efficacy:** 81lm/W

**Photobiological safety:** Compliant with RG1 low risk group

#### MECHANICAL CHARACTERISTICS

Die-cast white painted anodised aluminium body and dissipator. White colour cover. The optical unit can be adjusted up to 30° on the vertical plane with a mechanical beam locking system and a graduated scale, and 358° on the horizontal plane. Trimless version with a load-bearing element for installation and finishing in plasterboard.

**Colour and finish:** Plaster white

**Weight:** 0.61Kg

**Version:** TRIMLESS

**Degree of protection:** IP20 for recessed part

**Degree of protection:** IP40 for exposed part

#### ELECTRICAL CHARACTERISTICS

Integrated electronic ON-OFF driver.

**Fixture Power:** 20W

**Power supply:** 220-240Vac 50/60Hz

**Insulation Class:** CLASS 2

**Type of driver / Control:** ON-OFF

**Driver included:** YES

**Class F:** YES

**SAFE FLICKER:** PstLM=<1 and SVM=<0.4 (IEC TR 61547-1 and IEC TR 63158), to ensure a more comfortable and safe light

**Ambient temperature:** 0°C / +25°C

#### INSTALLATION

Quick tool-free mounting system for false ceiling installation from 0.5 to 30mm.

#### NOTES

110-277Vac version available on request.

#### WARRANTY

5 years.

#### WARNING

Luminaire designed for disposal/recycling at end-of-life. Replaceable (LED only) light source by a professional. Replaceable control gear by a professional.

*Due to the technological evolution of the electronic components, the data provided may be updated, and as such, confirmation must be requested during the order process.*

*Luminous flux and power supply have +/-10% tolerances with respect to the indicated value. tq +25°C (CIE 121).*

*We reserve the right to make technical changes.*

Targetti Sankey S.r.l.  
Via Pratese, 164  
50145 Firenze - Italy  
Tel: +39 055 37911  
targetti.com  
targetti@targetti.com

CCIAA Firenze  
Share Capital:  
€ 500.000,00  
VAT N. (IT):  
01537660480  
R.E.A.: FI-275656

**TARGETTI**

## 1T8727ELTR | CTEVO ARCHITECTURAL 105

Adjustable recessed LED projector in a trimless version

### Accessories

#### Filter



Ø mm	Code
50	<b>1T4721</b>

PMMA holographic filter with blade effect to ovalize the light beam; more evident when combined with spot and flood optics.

#### Grid



Ø mm	Code
50	<b>1T4322</b>

Anti-glare louver.  
Black painted metal honeycomb structure.  
Complete with holographic diffusion filter.

#### Mounting System



L mm	Code
2500	<b>1T9606</b>

Anti-fall safety cable to secure the body of the appliance to the building structure.

Due to the technological evolution of the electronic components, the data provided may be updated, and as such, confirmation must be requested during the order process.

Luminous flux and power supply have +/-10% tolerances with respect to the indicated value. tq +25°C (CIE 121).

We reserve the right to make technical changes.

Targetti Sankey S.r.l.  
Via Pratese, 164  
50145 Firenze - Italy  
Tel: +39 055 37911  
targetti.com  
targetti@targetti.com

CCIAA Firenze  
Share Capital:  
€ 500.000,00  
VAT N. (IT):  
01537660480  
R.E.A: FI-275656

**TARGETTI**